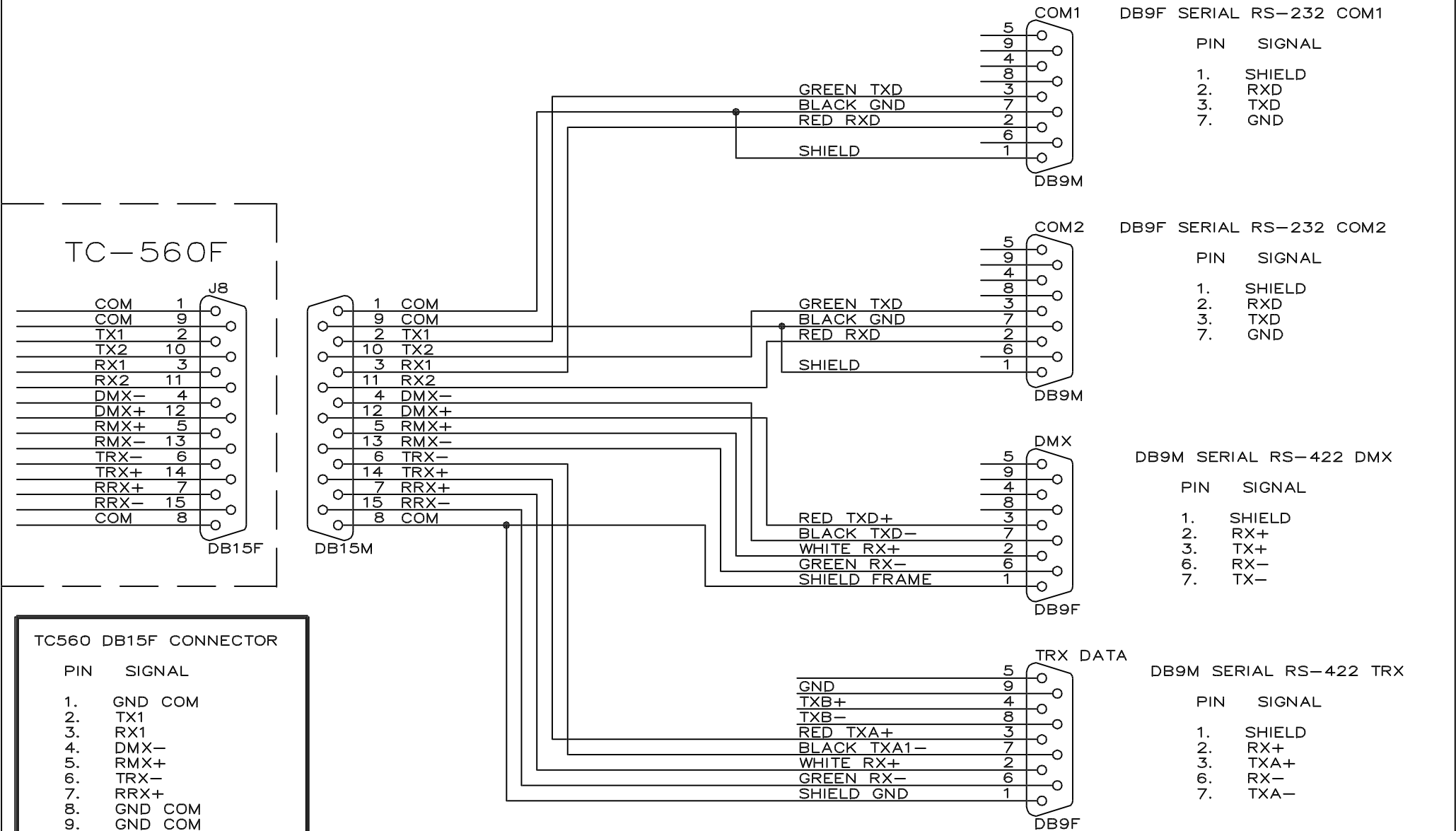
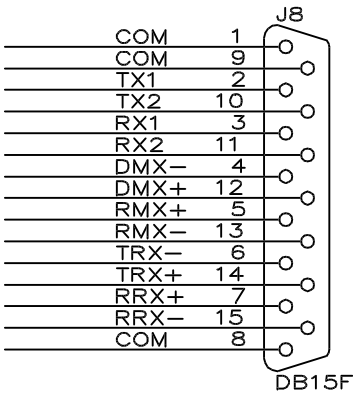


TC-560F BREAK OUT CABLE

TC-560F COM1 (DB9M), COM2 (DB9M), DMX (DB9F), TRX (DB9F) BREAK OUT CABLE USING TC-560A STANDARD



TC-560F



PIN	SIGNAL
1.	GND COM
2.	TX1
3.	RX1
4.	DMX-
5.	RMX+
6.	TRX-
7.	RRX+
8.	GND COM
9.	GND COM
10.	TX2
11.	RX2
12.	DMX+
13.	RMX-
14.	TRX+
15.	RRX-

NOTE: SHIELD IS CONNECTED AT TC-560 AND CARRIED THROUGH THE ADAPTER.

CABLE APPLICATION:
THIS CABLE IS USED TO SPLIT THE TC-560F DATA CONNECTOR OUT TO TRIAD STANDARD OLDER VERSION TC-560 CONNECTORS.

TRIAD PRODUCTIONS, INC.		
Title TC-560F TO STANDARD BREAKOUT CABLE		
Size A	Document Number 560BREAK.OCD	REV A
Date: September 21, 1995	Sheet 1	of 1