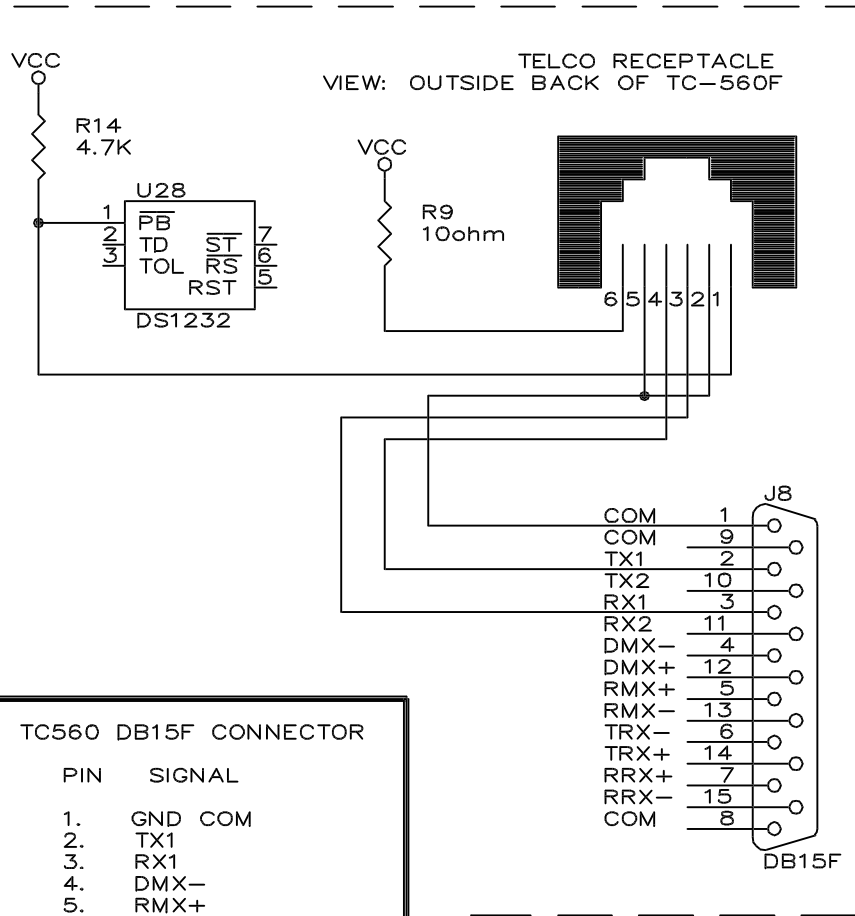


TC-560F DB15 COM1 TO COMPUTER COM PORT

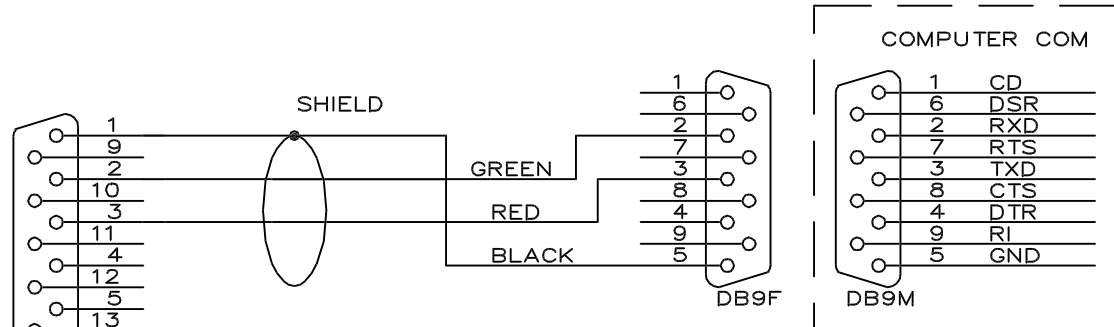
TC-560F RS-232 COM1 DB15F TO COMPUTER COM DB9M

(REQUIRES A DB15M TO DB9F ON CABLE)



TC560 DB15F CONNECTOR	
PIN	SIGNAL
1.	GND COM
2.	TX1
3.	RX1
4.	DMX-
5.	RMX+
6.	TRX-
7.	RRX+
8.	GND COM
9.	GND COM
10.	TX2
11.	RX2
12.	DMX+
13.	RMX-
14.	TRX+
15.	RRX-

TC-560 TELCO RECEPTACLE		CABLE WIRE	COMPUTER DB9M	
PIN	SIGNAL	COLOR	PIN	SIGNAL
1.	RESET		5.	GND
2.	GND	YL/BK	3.	TXD
3.	RXD	GREEN	2.	RXD
4.	TXD	RED		
5.	GND			
6.	+5VDC			



TC-560F DB15F		CABLE WIRE	COMPUTER DB9M	
PIN	SIGNAL	COLOR	PIN	SIGNAL
1.	GND	SHIELD	5.	GND
2.	TX1	GREEN	2.	RXD
3.	RX1	RED	3.	TXD

(BELDEN COLOR CODE USING 8723)

CABLE APPLICATION:
THIS CABLE IS USED TO COMMUNICATE BETWEEN
A TC-560 AND A STANDARD IBM SERIAL PORT.

TRIAD PRODUCTIONS, INC.		
Title TC-560F DB15F COM1 TO COMPUTER COM CABLE		
Size A	Document Number 560COM1.OCD	REV A
Date: September 21, 1995	Sheet 1	of 1