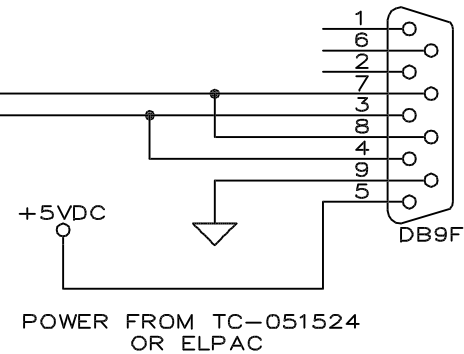
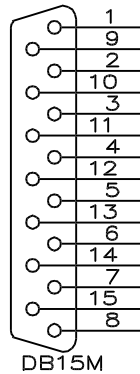
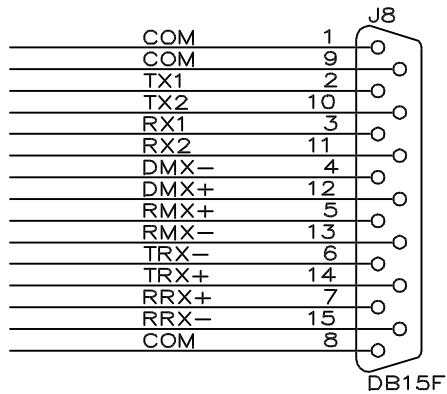


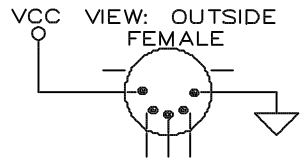
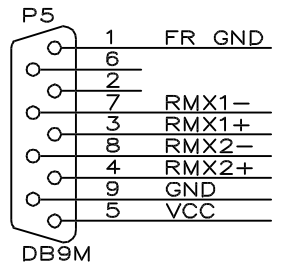
TC-560G DMX TO TC-648 OCTAL DISTRIBUTION AMP

TC-560 RS-422 DMX DB15F TO TC-648 DB9M
 REQUIRES A DB15M TO DB9F ON CABLE)

TC-560



TC-648



RECEPTACLE FOR ELPAC POWER SUPPLY

TC-560 DB15F	TC-051524 12 PIN PHOENIX	CABLE WIRE	TC-648 DB9M
PIN	SIGNAL	COLOR	PIN SIGNAL
1.	SHIELD	RED	5. +5VDC
12.	DMX+	BLACK	9. GND
4.	DMX-	RED	3. RMX1+
12.	DMX+	BLACK	7. RMX1-
4.	DMX-	WHITE	4. RMX2+
		GREEN	8. RMX2-

(BELDEN COLOR CODE USING 8723)

CABLE APPLICATION:
 THIS CABLE IS USED TO CONNECT THE TC-560 DMX DATA TO THE TC-648 OCTAL RS-422 DISTRIBUTION CARD. POWER TO THE DISTRIBUTION CARD IS SUPPLIED EXTERNALLY THROUGH THE TC-051524, AN ELPAC, OR OTHER POWER SUPPLY CAPABLE OF SUPPLYING +5V.

TRIAD PRODUCTIONS, INC.		
Title TC-560G DMX TO TC-648 CABLE ASSEMBLY		
Size A	Document Number 560DM648.OCD	REV A
Date:	August 3, 1995	Sheet 1 of 1