

TC-560F TRX DATA TO DTU "DATA" CONNECTOR

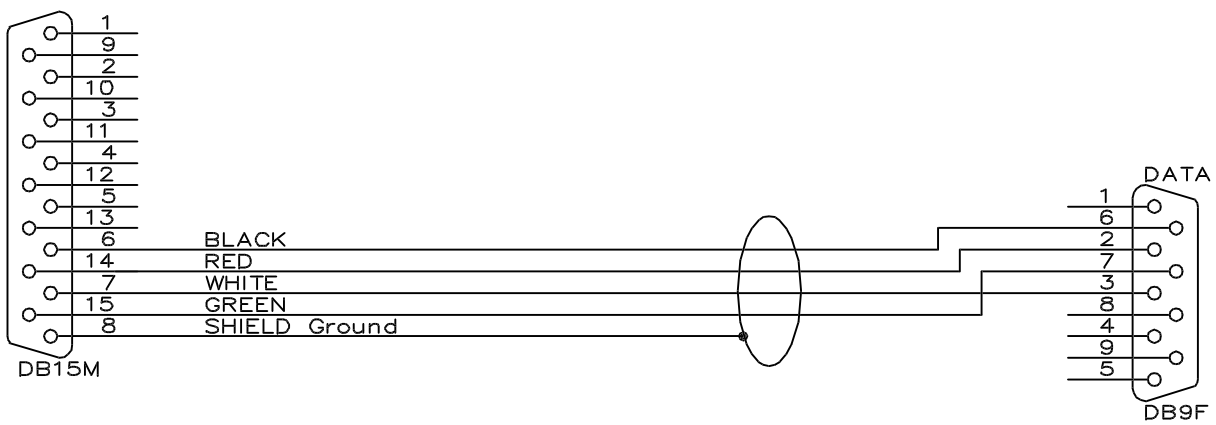
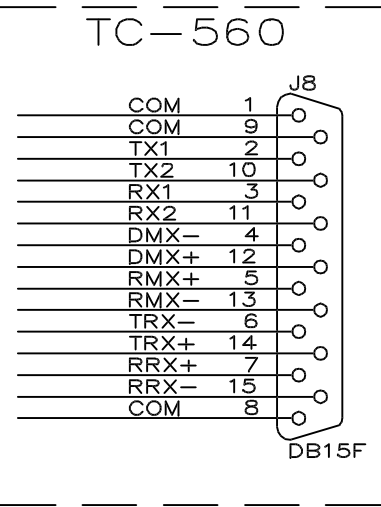
TC-560F TRX DATA DB15F TO DTU DB9M
(REQUIRES A DB15M TO DB9F ON CABLE)

DTU DATA DB9M

PIN	SIGNAL
1.	GND
2.	RXD+
3.	TXD+
4.	INP1
5.	INP2
6.	RXD-
7.	TXD-
8.	ENABLE OUT
9.	GND

DTU DATA

DATA	PIN	SIGNAL
	1	GND
	6	RRX-
	2	RRX+
	7	TRX-
	3	TRX+
	8	ENABLE OUT
	4	INP1
	9	GND
	5	INP2



TC-560 DB15F CONNECTOR	
PIN	SIGNAL
1.	GND COM
2.	TX1
3.	RX1
4.	DMX-
5.	RMX+
6.	TRX-
7.	RRX+
8.	GND COM
9.	GND COM
10.	TX2
11.	RX2
12.	DMX+
13.	RMX-
14.	TRX+
15.	RRX-

TC-560F DB15F	CABLE WIRE	DTU DATA DB9M
PIN	SIGNAL	PIN SIGNAL
6.	TRX-	6. RRX-
7.	RRX+	3. TRX+
8.	SHIELD	
14.	TRX+	2. RRX+
15.	RRX-	7. TRX-

(BELDEN COLOR CODE USING 8723)

CABLE APPLICATION:
THIS CABLE IS USED TO SEND TRX DATA FROM
A TC-560 TO A DTU OR SCU/LDC CARD FRAME.

TRIAD PRODUCTIONS, INC.		
Title TC-560F TO DTU DATA CABLE ASSEMBLY		
Size A	Document Number 560TODTU.OCD	REV A
Date:	May 15, 1995	Sheet 1 of 1