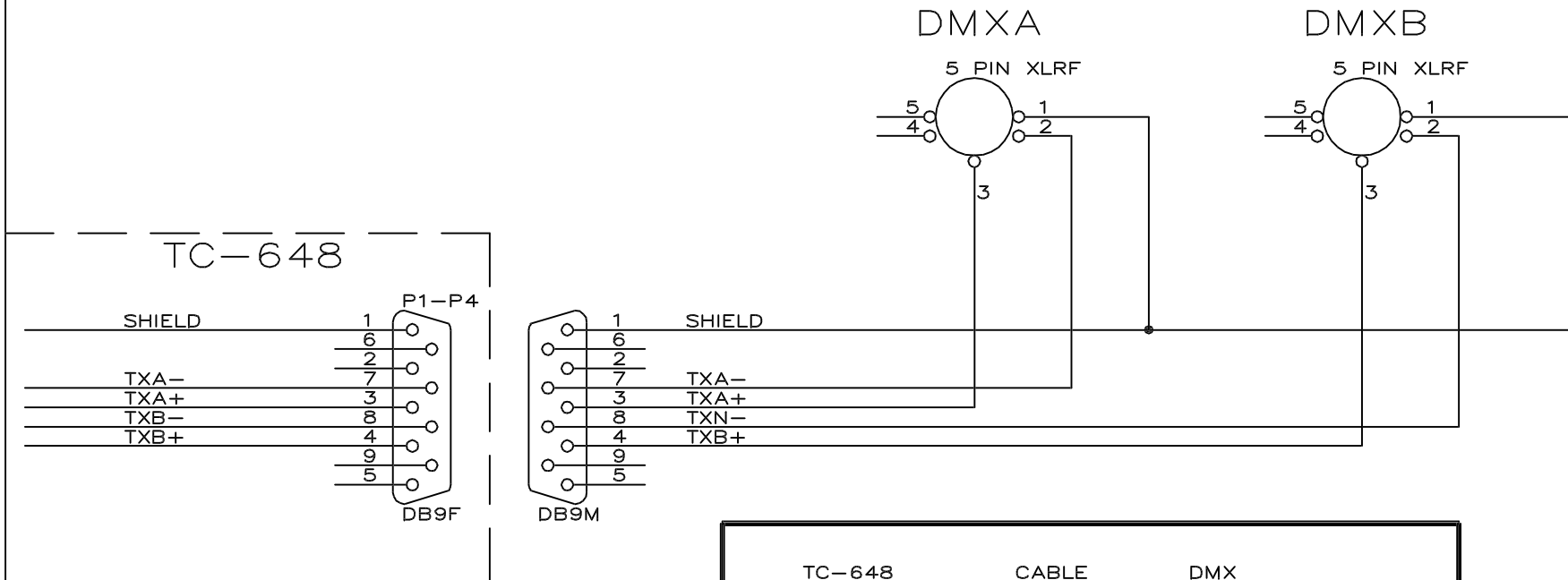


# TC-648 RS-422 DISTRIBUTION TO STANDARD DMX

TC-648 RS-422 (DMX) DB9F TO 5 PIN XLRM

(REQUIRES A DB9M TO XLRF ON CABLE)



TC-648 DB9F		CABLE WIRE	DMX 5 PIN XLRM	
PIN	SIGNAL	COLOR	PIN	SIGNAL
1.	SHIELD	SHIELD	1.	SHIELD (A&B)
3.	TXA+	RED	2.	RXA-
4.	TXB+	WHITE	3.	RXA+
7.	TXA-	BLACK	2.	RXB-
8.	TXB-	GREEN	3.	RXB+

(BELDEN COLOR CODE USING 8723)

CABLE APPLICATION:  
THIS CABLE IS USED TO DISTRIBUTE DMX TO  
STANDARD 5 PIN XLR.

TRIAD PRODUCTIONS, INC.		
Title TC-648 TO DMX CABLE ASSEMBLY		
Size A	Document Number 648TODMX.OCD	REV A
Date:	May 15, 1995	Sheet 1 of 1