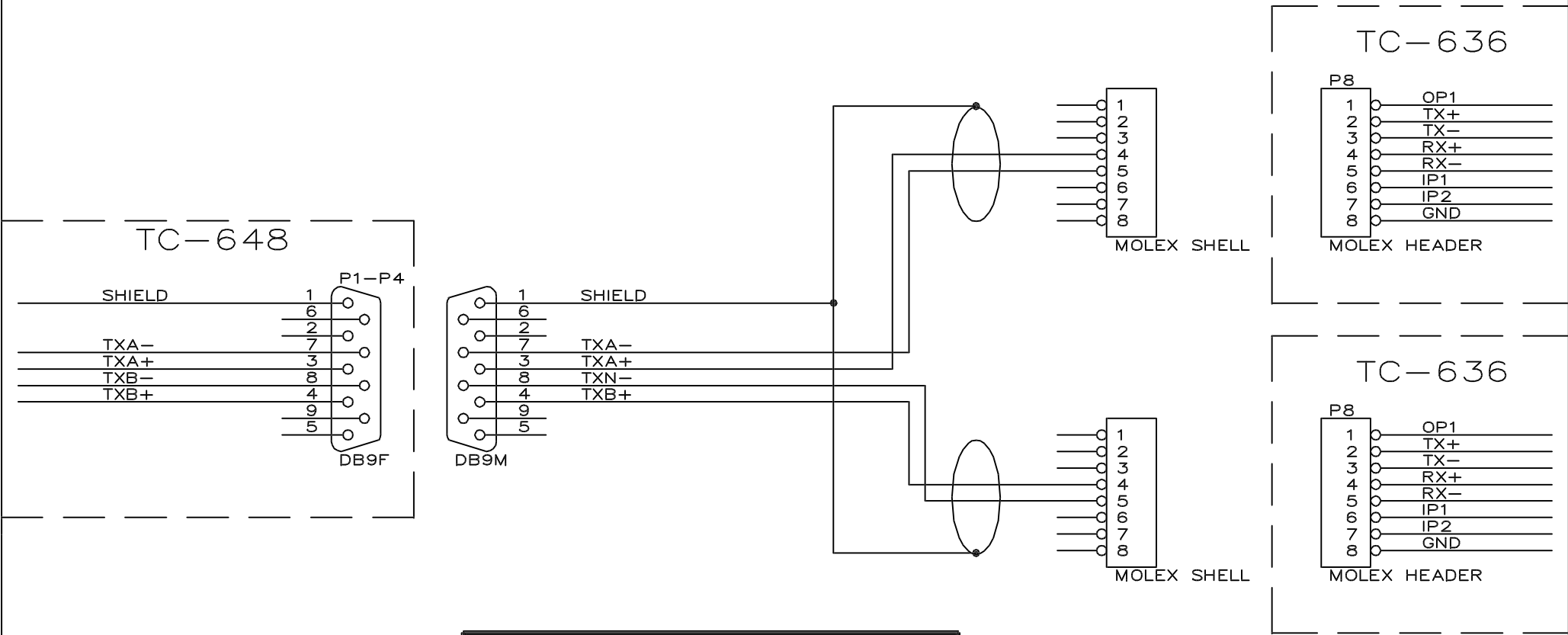


# TC-648 RS-422 DISTRIBUTION CARD TO TRIAD TRX DATA

TC-648 RS-422 TRX DB9F TO TC-636  
 (REQUIRES A DB9M TO 8 PIN MOLEX SHELL ON CABLE)



CABLE APPLICATION:  
 THIS CABLE IS USED TO SEND TRX  
 DATA FROM ONE SOURCE (TC-560)  
 TO EIGHT REMOTE STU CARD FRAMES.

TC-648 DB9F		CABLE WIRE	TC-636 6 PIN MOLEX	
PIN	SIGNAL	COLOR	PIN	SIGNAL
1.	SHIELD	SHIELD		
3.	TXA+	RED	4.	RX+
4.	TXB+	WHITE	5.	RX-
7.	TXA-	BLACK	4.	RX+
8.	TXB-	GREEN	5.	RX-

(BELDEN COLOR CODE USING 8723)

TRIAD PRODUCTIONS, INC.		
Title TC-648 OCTAL RS-422 TO TC-636		
Size A	Document Number 648TOSTU.OCD	REV A
Date:	May 15, 1995	Sheet 1 of 1