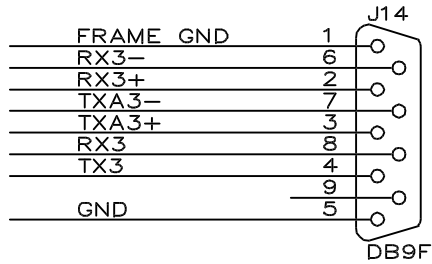


BART C AND D "SER" PORT TO SONY SERIES VIDEO DISC PLAYER

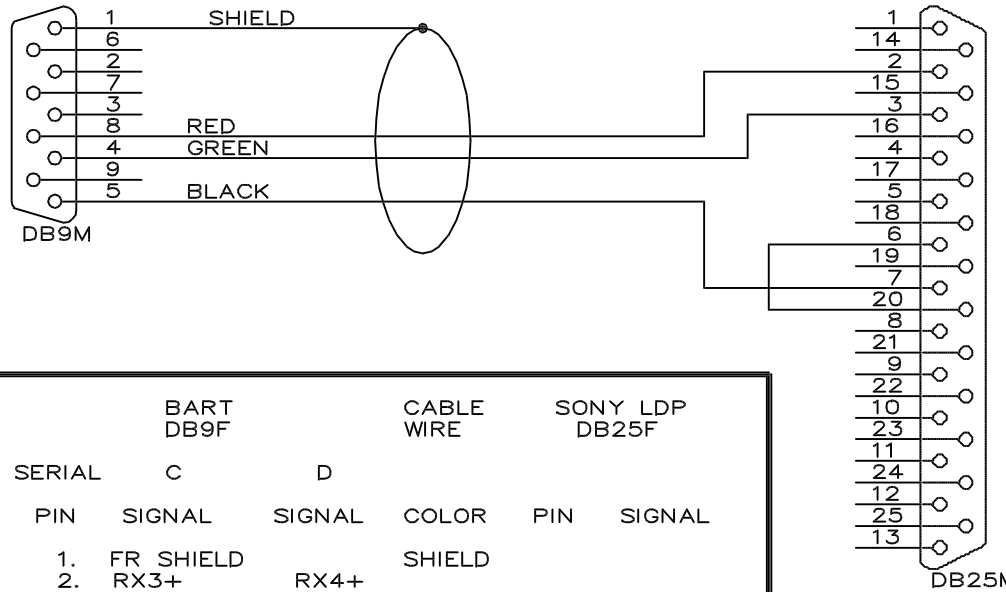
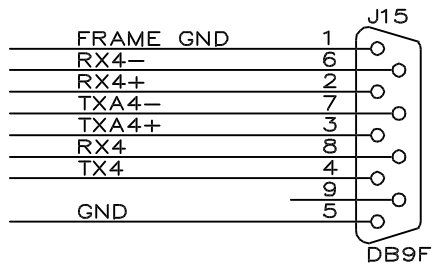
BART RS-232 SERIAL C AND D DB9F TO SONY LDP DB25F

(REQUIRES A DB9M TO DB25M ON THE CABLE)

BART SERIAL C



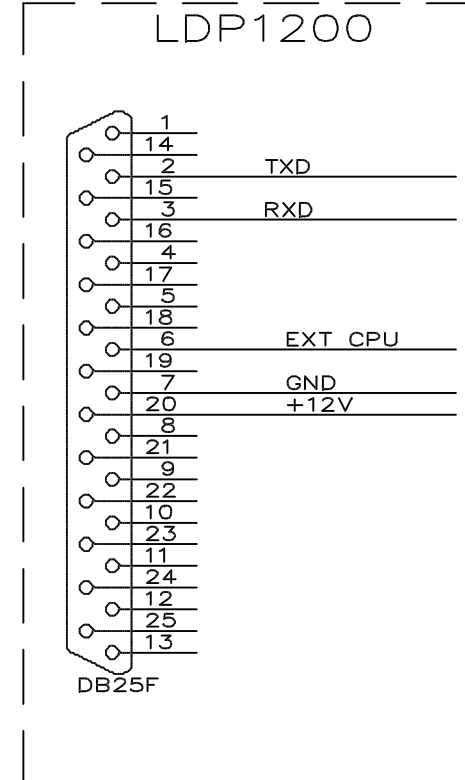
BART SERIAL D



SERIAL	BART DB9F	CABLE WIRE	SONY LDP DB25F
C	D		
PIN	SIGNAL	SIGNAL	PIN SIGNAL
1.	FR SHIELD		
2.	RX3+	RX4+	
3.	TXA3+	TXA4+	
4.	TX3	TX4	3. RXD
5.	GND		7. GND
6.	RX3-	RX4-	
7.	TXA3-	TXA4-	
8.	RX3	RX4	2. TXD
9.	NC		

NOTE: PIN 6 MUST BE CONNECTED TO PIN 20 AT THE SONY LDP TO ENABLE EXT CPU

(BELDEN COLOR CODE USING 8723)



CABLE APPLICATION:
THIS CABLE IS USED TO INTERFACE BETWEEN C AND D "SER" RS-232 PORTS ON A BART TO ANY SONY LDP SERIES VIDEO DISC PLAYER.

THIS INCLUDES LDP1200, LDP1550, AND LDP2600.

TRIAD PRODUCTIONS, INC.		
Title BART TO SONY LDP VIDEO DISC PLAYER		
Size A	Document Number BART1200.OCB	REV A
Date: September 21, 1995	Sheet 1 of	1