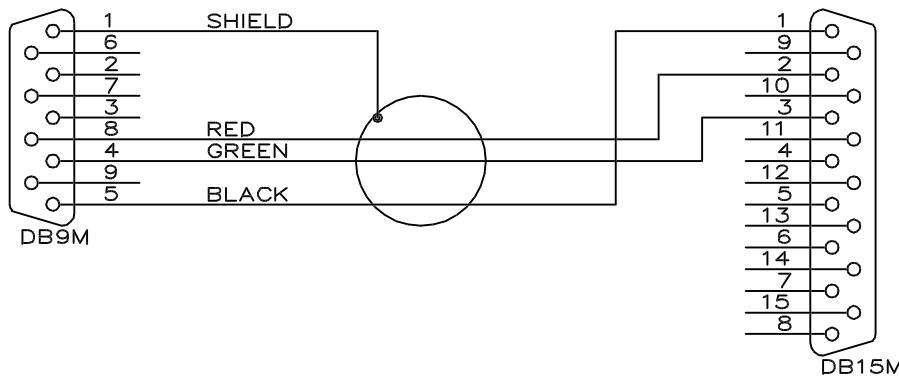
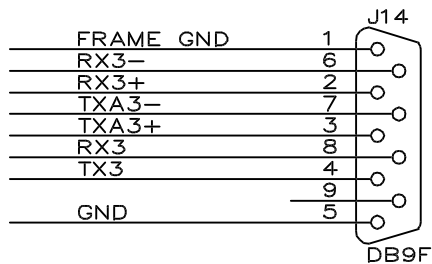


# BART C AND D "SER" PORT TO PIONEER LDV SERIES VIDEO DISC PLAYER

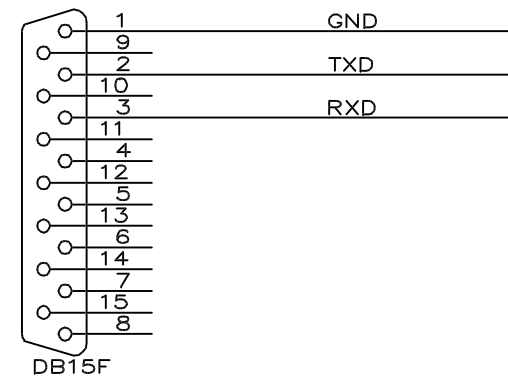
BART RS-232 SERIAL C AND D DB9F TO PIONEER LDV DB15F

(REQUIRES A DB9M TO DB15M ON THE CABLE)

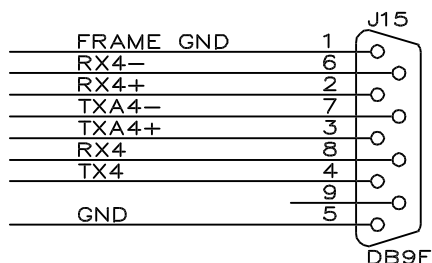
## BART SERIAL C



## PIONEER LDV



## BART SERIAL D



BART DB9F		CABLE WIRE		PIONEER LDV DB15F	
SERIAL C	D			PIN	SIGNAL
PIN	SIGNAL	SIGNAL	COLOR	PIN	SIGNAL
1.	FR SHIELD		SHIELD		
2.	RX3+	RX4+			
3.	TXA3+	TXA4+		3.	RXD
4.	TX3	TX4	GREEN	1.	GND
5.	GND		BLACK		
6.	RX3-	RX4-			
7.	TXA3-	TXA4-			
8.	RX3	RX4	RED	2.	TXD
9.	NC				

CABLE APPLICATION:  
THIS CABLE IS USED TO INTERFACE BETWEEN  
A BART "SER" RS-232 DB9F TO ANY PIONEER  
SERIES VIDEO DISC PLAYER.

THIS INCLUDES LDV2600, LDV4000, AND LDV8000.

TRIAD PRODUCTIONS, INC.

Title		
BART TO PIONEER LDV VIDEO DISC PLAYER		
Size	Document Number	REV
A	BART8000.OCD	A
Date:	September 21, 1995	Sheet 1 of 1