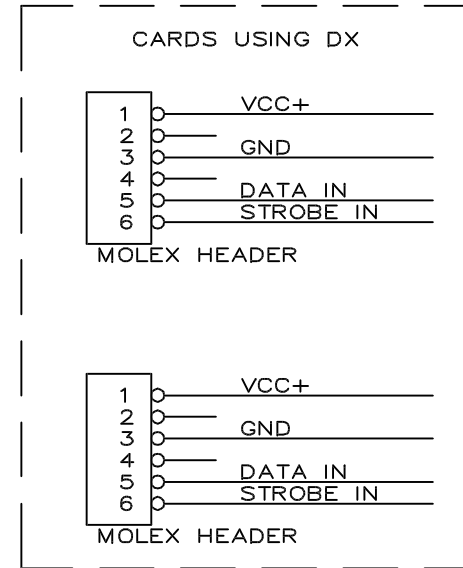
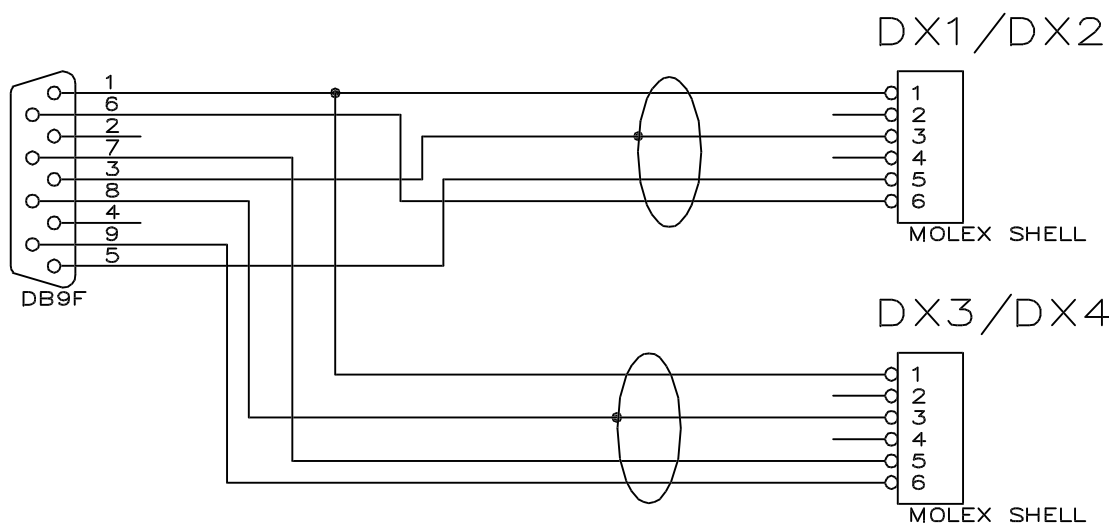
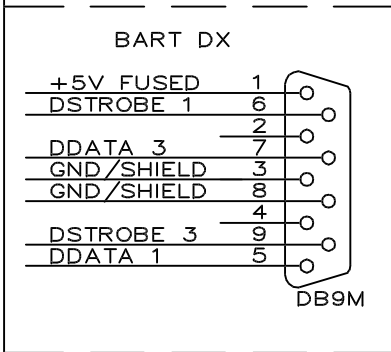


TRIAD STANDARD BART DX OUTPUT TO DX INPUT

BART DX 1-4 DB9M TO TC-316, TC3161, TC-631, TC-124 DX INPUT

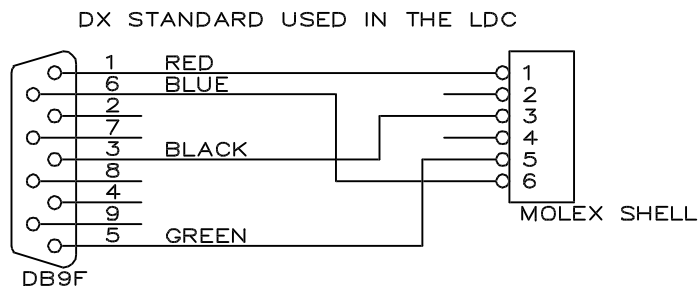
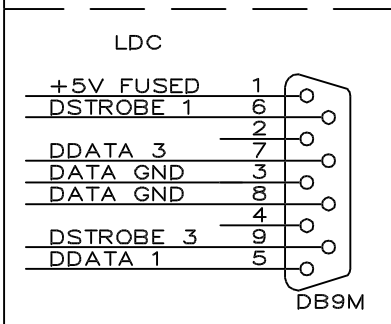
(REQUIRES A DB9F TO 6 PIN MOLEX SHELL ON CABLE)



NOTE: SHIELD CONNECTED AT BART DX END OF CABLE.

BART DB9M		LOGICAL OUTPUT		CABLE WIRE	CARDS USING DX 6 PIN MOLEX HEADER	
PIN	SIGNAL	DX1/3	DX2/4	COLOR	PIN	SIGNAL
1.	FUSED +5VDC			WHITE	1.	+VCC IN
2.	NC				2.	GND
3.	DATA GND/SHIELD			BLACK	3.	GND
4.	NC				4.	DATA IN
5.	DIGITAL DATA	DX1	DX2	GREEN	5.	STROBE IN
6.	STROBE FOR DATA	DX1	DX2	RED	6.	DATA IN
7.	DIGITAL DATA	DX3	DX4	GREEN	5.	DATA IN
8.	DATA GND/SHIELD			BLACK	3.	GND
9.	STROBE FOR DATA	DX3	DX4	RED	6.	STROBE IN

(BELDEN 8723 COLOR CODE USED)



CABLE APPLICATION:
THIS CABLE IS USED TO TRANSMIT STANDARD TRIAD TRX DATA FROM THE BART TO TRIAD CARDS CAPABLE OF USING THE DATA. (TC-316, TC-3161, TC-124)

TRIAD PRODUCTIONS INC.		
Title		
BART DX OUTPUT CABLE		
Size	Document Number	REV
A	BARTDX.OCD	A
Date:	May 15, 1995	Sheet 1 of 1