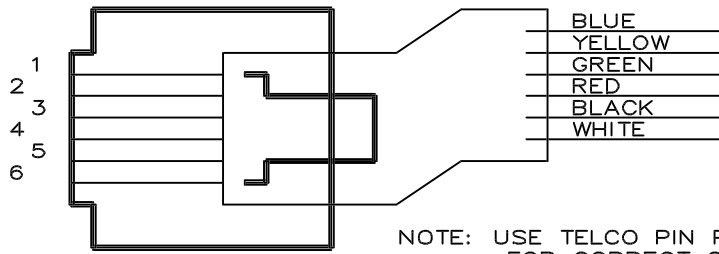
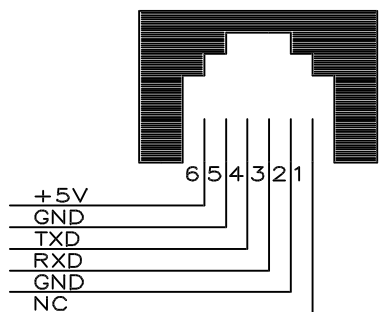


# BART "SER" A PORT TO SERIAL TO MIDI INTERFACE

BART RS-232 SERIAL A TELCO TO MADIATOR DB25F

(REQUIRES A TELCO PLUG TO DB25M ON CABLE)

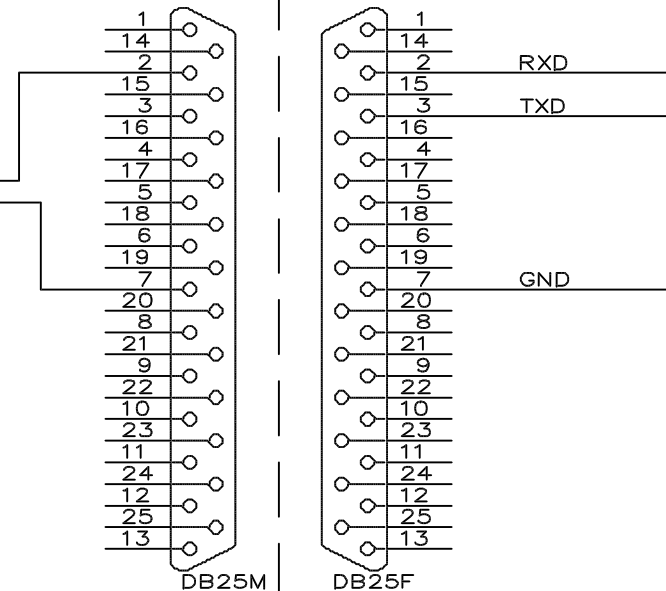
BART TELCO RECEPTACLE  
VIEW: OUTSIDE BACK



NOTE: USE TELCO PIN PLACEMENT FOR CORRECT CONNECTION.

PLUG

BART SERIAL C DB9F		CABLE WIRE	MADIATOR DB9M	
PIN	SIGNAL	COLOR	PIN	SIGNAL
1.	NC	SHIELD	1.	SHIELD
2.	GND			
3.	RXD			
4.	TXD			
5.	GND	BLACK	7.	GND
6.	NC	RED	2.	RXD



NOTE: A POWER SOURCE IS REQUIRED. FOR THE MADIATOR TO OPERATE IE. WALL WART

CABLE APPLICATION:  
THIS CABLE IS USED TO INTERFACE BETWEEN A BART "SER" A RS-232 DB9F TO A SERIAL TO MIDI INTERFACE DEVICE.

NOTE: FOR LONGER RUNS, (IE.OVER 50FT) IT IS BEST TO USE A TELCO TO DB9 ADAPTER AND USE SHIELDED CABLE.

TRIAD PRODUCTIONS, INC.		
Title BART SERIAL A TO MADIATOR		
Size A	Document Number BSERAMIDI.OCD	REV A
Date: March 4, 1999	Sheet	1 of 1