

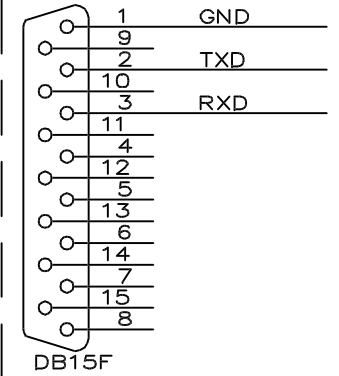
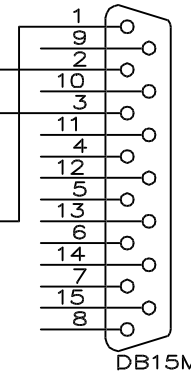
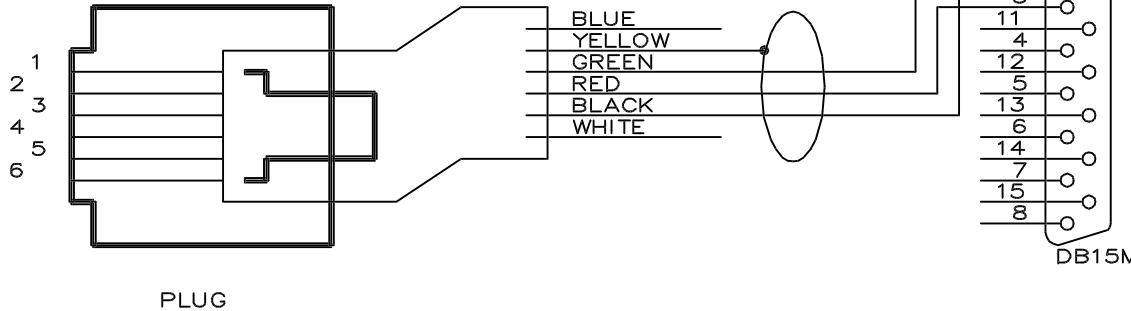
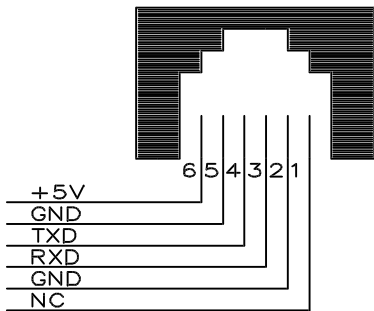
# BART SERIALS A AND B TO PIONEER LDV SERIES VIDEO DISC PLAYER

BART RS-232 SERIAL A AND B TELCO RECEPTACLES TO  
PIONEER PDV STANDARD VIDEO DISC PLAYER RS-232 DB15F

(REQUIRES A TELCO PLUG TO DB15M ON CABLE)

PIONEER LDV

BART TELCO RECEPTACLE  
VIEW: OUTSIDE BACK



BART TELCO RECEPTACLES SERIALS A AND B		CABLE WIRE	PIONEER LDV DB15F	
PIN	SIGNAL	COLOR	PIN	SIGNAL
1.	NC	BLUE	2.	TXD
2.	GND	YELLOW	3.	RXD
3.	RXD	GREEN	1.	GND
4.	TXD	RED		
5.	SHIELD	BLACK		
6.	+5VDC	WHITE		

(BELDEN COLOR CODE USED WITH 8723)

NOTE: BECAUSE THE BART TELCO SHARES THE SAME CONFIGURATION AS THE TC-560 AND THE TC-3550, IF THE NEED ARISES, THEY HAVE THE SAME PINOUT.

CABLE APPLICATION:  
THIS CABLE IS USED TO INTERFACE BETWEEN  
A BART "SERIAL" A AND B RS-232 TELCO  
TO ANY PIONEER SERIES VIDEO DISK PLAYER.

THIS INCLUDES LDV2600, LDV4000, AND LDV8000.

TRIAD PRODUCTIONS, INC.

Title		
BART TELCO TO PIONEER LDV SERIES VIDEO DISC		
Size	Document Number	REV
A	BTEL8000.OCD	A
Date:	Jan 10, 1996	Sheet 1 of 1