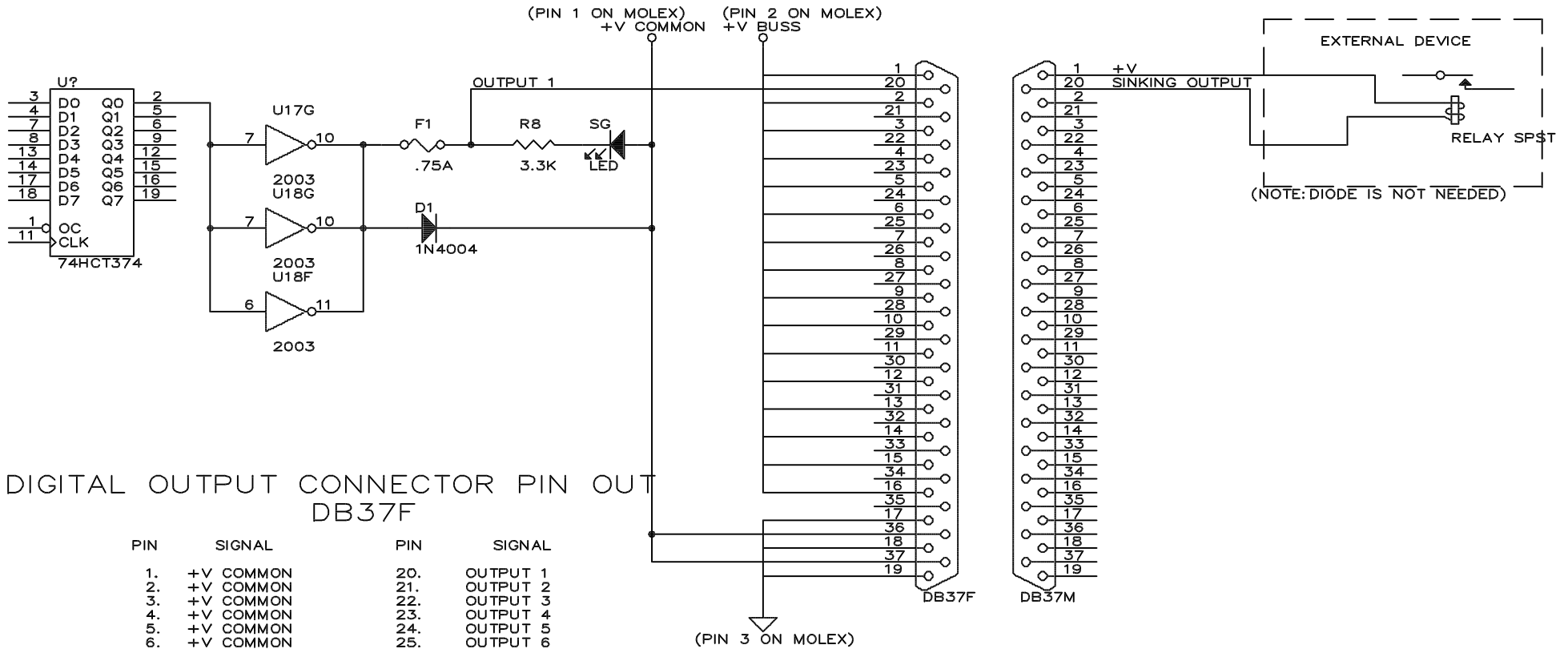


TC3161 DIGITAL OUT TYPICAL HIGH CURRENT SINKING OUTPUT



DIGITAL OUTPUT CONNECTOR PIN OUT
DB37F

PIN	SIGNAL	PIN	SIGNAL
1.	+V COMMON	20.	OUTPUT 1
2.	+V COMMON	21.	OUTPUT 2
3.	+V COMMON	22.	OUTPUT 3
4.	+V COMMON	23.	OUTPUT 4
5.	+V COMMON	24.	OUTPUT 5
6.	+V COMMON	25.	OUTPUT 6
7.	+V COMMON	26.	OUTPUT 7
8.	+V COMMON	27.	OUTPUT 8
9.	+V COMMON	28.	OUTPUT 9
10.	+V COMMON	29.	OUTPUT 10
11.	+V COMMON	30.	OUTPUT 11
12.	+V COMMON	31.	OUTPUT 12
13.	+V COMMON	32.	OUTPUT 13
14.	+V COMMON	33.	OUTPUT 14
15.	+V COMMON	34.	OUTPUT 15
16.	+V COMMON	35.	OUTPUT 16
17.	INPUT COMMON GND	36.	+V CONSTANT
18.	INPUT COMMON GND	37.	+V CONSTANT
19.	INPUT COMMON GND		