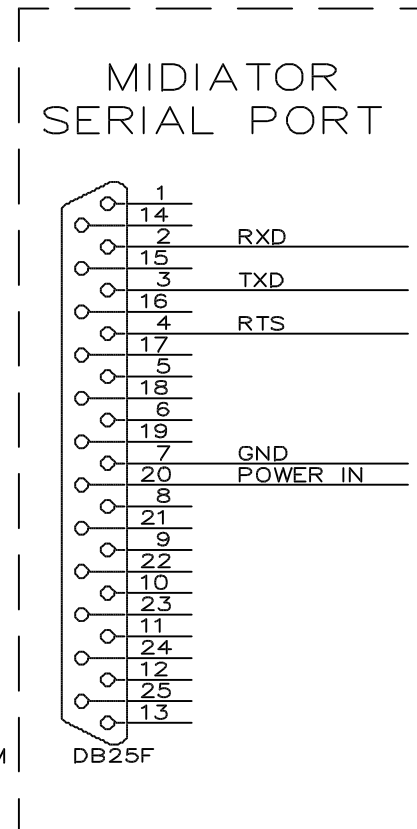
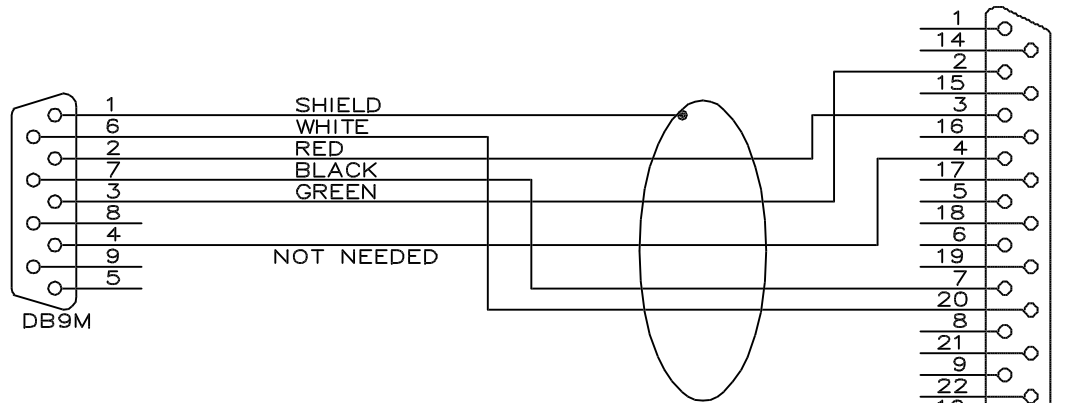
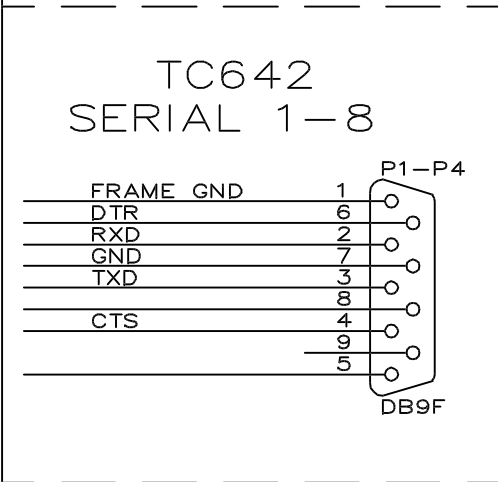


# BART "SER" C PORT TO KEY ELECTRONICS SERIAL TO MIDI INTERFACE

LDC RS-232 SERIAL 1-8 DB9F TO KEY ELECTRONICS DB25F  
(REQUIRES A DB9M TO DB25M ON THE CABLE)



LDC SERIAL DB9F		CABLE WIRE	KEY ELECTRONICS DB9M	
PIN	SIGNAL	COLOR	PIN	SIGNAL
1.	FR SH	SHIELD	1.	SHIELD
* 2.	RX3	RED		
3.	TX3	GREEN	2.	RXD
** 4.	CTS			
5.	NC			
6.	DTR	WHITE	20.	POWER IN
7.	GND	BLACK	7.	GND
8.	NC			
9.	NC			

(BELDEN COLOR CODE USED)

\* NOT IMPLEMENTED  
\*\* NOT REQUIRED

CABLE APPLICATION:  
THIS CABLE IS USED TO INTERFACE BETWEEN  
A FRAME "SER" 1-8 RS-232 DB9F TO A KEY  
ELECTRONICS SERIAL TO MIDI INTERFACE DEVICE.

NOTE: A POWER SOURCE IS REQUIRED.  
FOR THE MIDIATOR TO OPERATE  
IF SER 9 OR 10 IS USED.  
IE. WALL WART

TRIAD PRODUCTIONS, INC.		
Title LDC SERIAL 1-8 TO KEY ELECTRONICS MIDIATOR		
Size A	Document Number LDCMIDI.OCD	REV A
Date:	December 18, 1997	Sheet 1 of 1