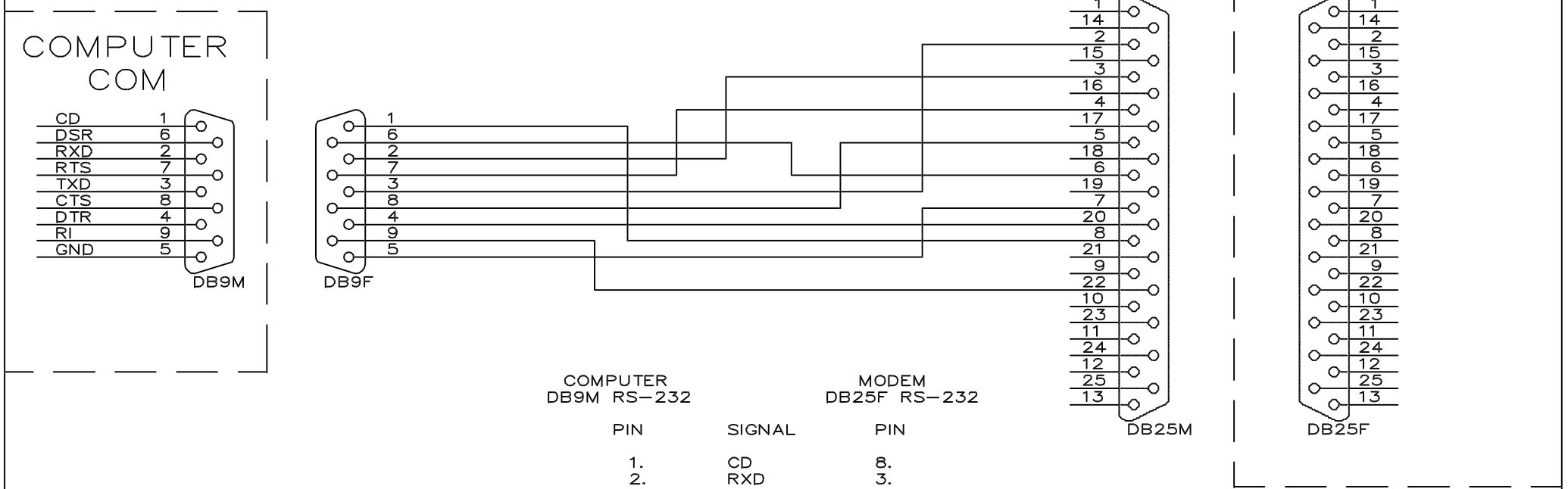


COMPUTER COM PORT TO MODEM

STANDARD "IBM" COMPUTER RS-232 DB9M COM PORT TO STANDARD DB25F MODEM

(REQUIRES A DB9F TO DB25M ON THE CABLE)



COMPUTER DB9M RS-232	SIGNAL	MODEM DB25F RS-232
PIN		PIN
1.	CD	8.
2.	RXD	3.
3.	TXD	2.
4.	DTR	20.
5.	GND	7.
6.	DSR	6.
7.	RTS	4.
8.	CTS	5.
9.	RI	22.

TRIAD PRODUCTIONS, INC.		
Title COMPUTER COM TO MODEM		
Size A	Document Number MODEM.OCD	REV A
Date:	November 3, 1995	Sheet 1 of 1