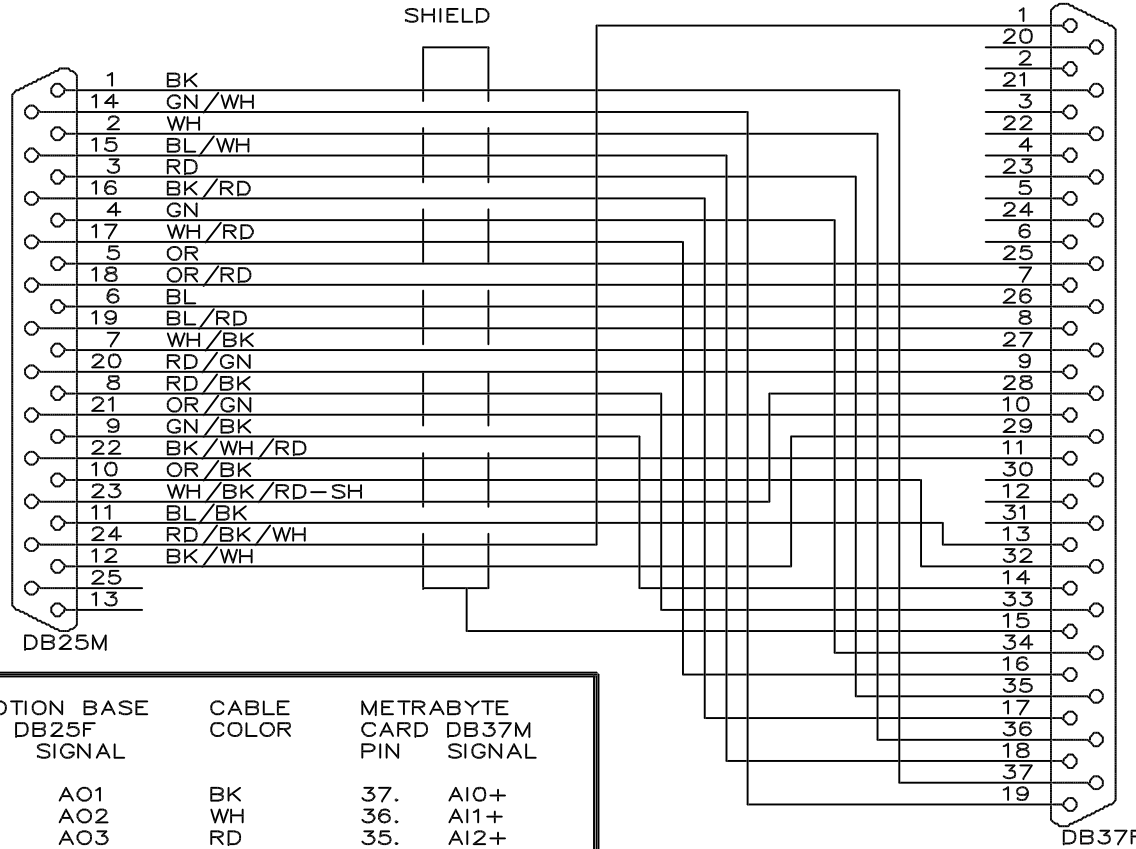
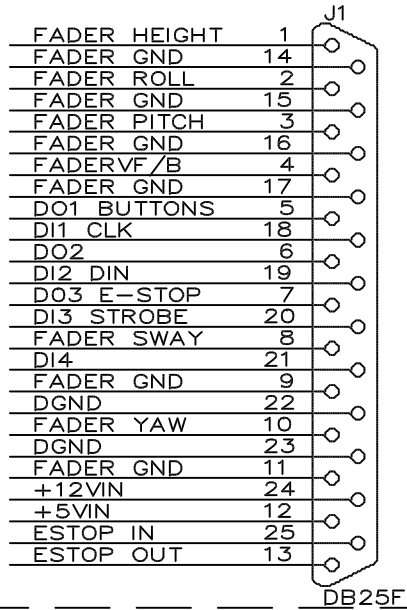


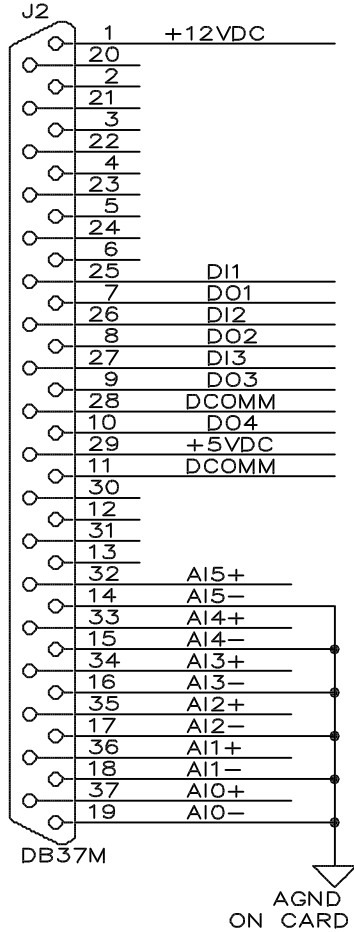
MOTION BASE PROGRAMMER TO METRABYTE CARD CABLE

MOTION BASE PROGRAMMER DB25F TO METROBYTE PC INTERFACE CARD DB37M
(REQUIRES A DB25M TO DB37F ON CABLE)

MOTION BASE PROGRAMMER



METRABYTE CARD



	MOTION BASE DB25F	CABLE COLOR	METRABYTE CARD DB37M
	PIN	SIGNAL	PIN SIGNAL
FADER HEIGHT	1.	AO1	37. AI0+
FADER ROLL	2.	AO2	36. AI1+
FADER PITCH	3.	AO3	35. AI2+
FADER FOR/BACK	4.	AO4	34. AI3+
74HCT165 QH	5.	DO1	25. DI1
NC	6.	DO2	26. DI2
SWITCH E-STOP	7.	DO3	27. DI3
FADER SWAY	8.	AO5	33. AI4+
FADER GND	9.	AGND	15. AI4-
FADER YAW	10.	AO6	32. AI5+
FADER GND	11.	AGND	14. AI6-
VCC INPUT	12.	+5V IN	29. +5V OUT
FADER GND	14.	AGND	19. AI0-
FADER GND	15.	AGND	18. AI1-
FADER GND	16.	AGND	17. AI2-
FADER GND	17.	AGND	16. AI3-
CLOCK INPUT	18.	DI1	7. DO1
DDATA	19.	DI2	8. DO2
STROBE	20.	DI3	9. DO3
NC	21.	DI4	10. DO4
GND	22.	DGND	11. DGND
GND	23.	DGND	28. DGND
VSS INPUT	24.	+12V IN	1. +12V OUT
			15. SHIELD

APPLICATION:
THIS CABLE IS USED TO INTERFACE
THE TRIAD MOTION BASE PROGRAMMER
TO THE METRABYTE PC CARD FOR
PROGRAMMING.

TRIAD PRODUCTIONS, INC.		
Title MOTION BASE PROGRAMMER TO METRABYTE CARD		
Size A	Document Number MOTIONBS.OCD	REV 1
Date:	March 18, 1996	Sheet 1 of 1