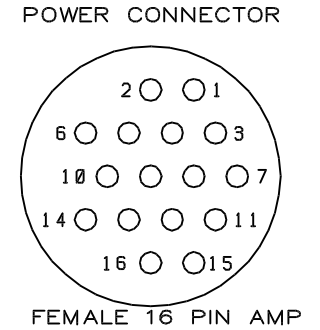
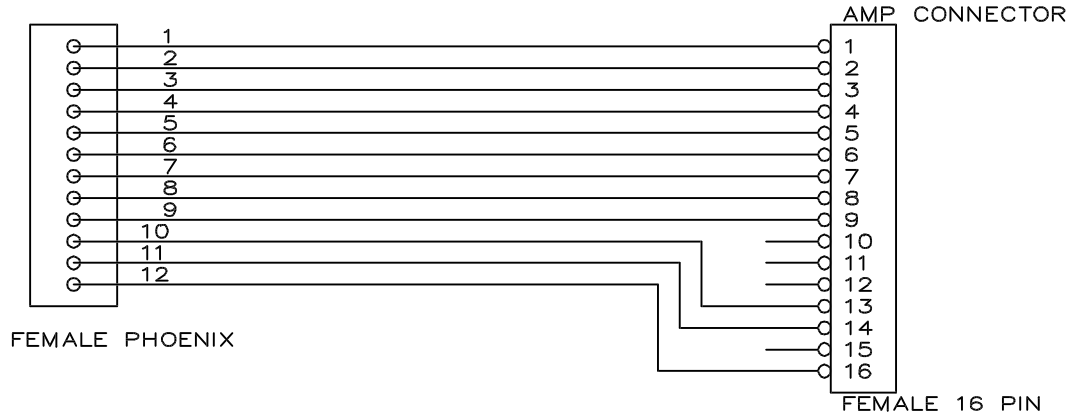
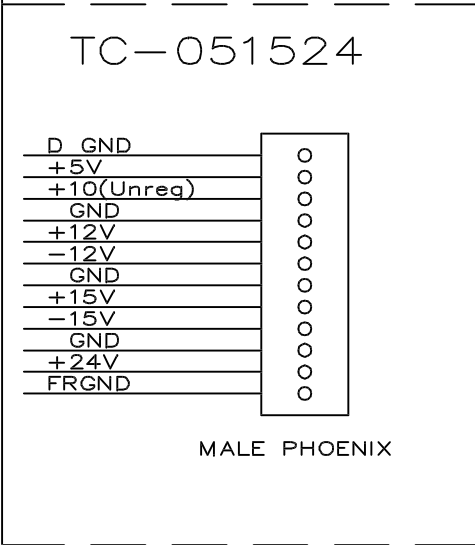


# TC-051524 POWER CABLE TO CARD FRAME WITH A BACKPLANE

12 POSITION PHOENIX PLUG TO MALE 16 PIN AMP CPC

(REQUIRES 12 PIN PHOENIX RECEPTACLE TO FEMALE AMP 16 PIN CPC)



NOTE:  
12V AND 15V GROUNDS ARE  
CONNECTED WITHIN TC-051524

TC-051524 PHOENIX CONNECTOR		CABLE WIRE	16 PIN AMP CPC CONNECTOR	
PIN	SIGNAL	COLOR	PIN	SIGNAL
1.	D_GND	BLACK	1.	D_GND
2.	+5V	WHITE	2.	+5V
3.	+10(Unreg)	RED	3.	+10(Unreg)
4.	GND	GREEN	4.	GND
5.	+12V	BLUE	5.	+12V
6.	-12V	ORANGE	6.	-12V
7.	GND	WH/BK	7.	GND
8.	+15V	RD/BK	8.	+15V
9.	-15V	GN/BK	9.	-15V
10.	GND	BL/BK	13.	GND
11.	+24V	OR/BK	14.	+24V
12.	FRGND	BK/WH	16.	FRGND

CABLE APPLICATION:  
THIS CABLE IS USED TO SUPPLY POWER FROM THE TC-051524  
TO ANY TRIAD CARD FRAME WITH A BACKPLANE.

TRIAD PRODUCTIONS, INC.		
Title TC-051524 POWER SUPPLY TO CARD FRAME		
Size A	Document Number PWRTOFRM.OCD	REV A
Date:	December 18, 1997	Sheet 1 of 1