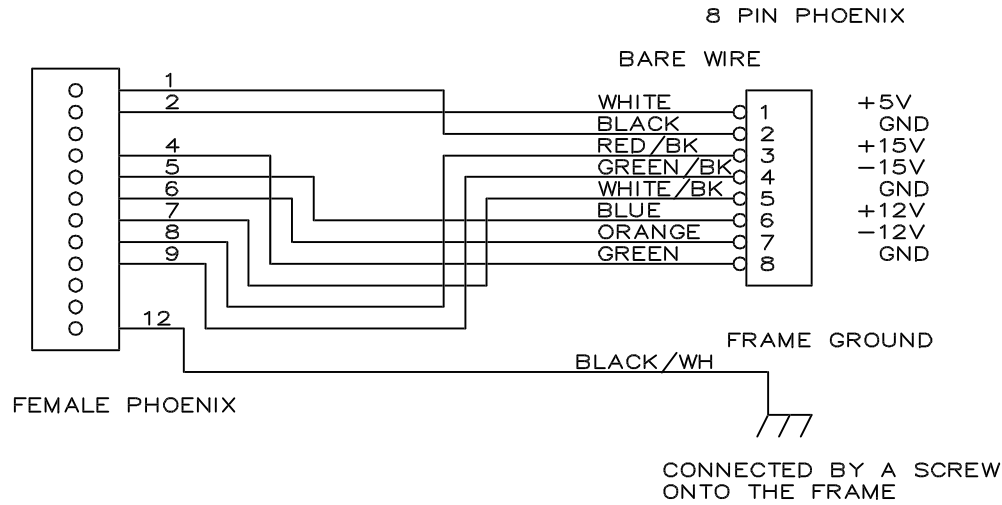
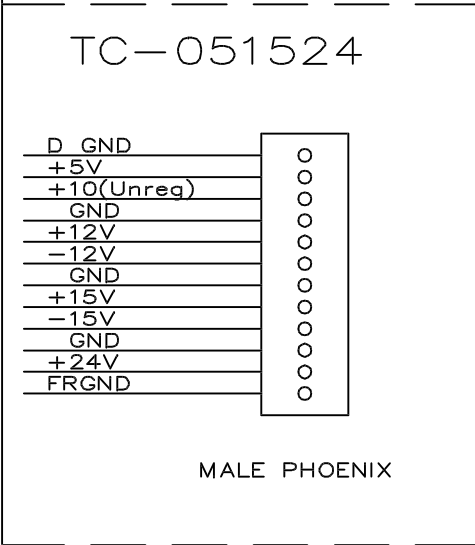


TC-051524 POWER CABLE TO STU CARD FRAME

PHOENIX 12 POSITION PLUG TO PHOENIX 8 POSITION TERMINAL)
 (REQUIRES 12 PIN PHOENIX RECEPTACLE TO BARE WIRE)



NOTE:
 12V AND 15V GROUNDS ARE
 CONNECTED WITHIN TC-051524

TC-051524 PHOENIX CONNECTOR		CABLE WIRE	TC-636 PHOENIX TERMINAL	
PIN	SIGNAL	COLOR	PIN	SIGNAL
1.	D GND	BLACK	2	GND
2.	+5V	WHITE	1	+5V
3.	+10(Unreg)	RED	8	GND
4.	GND	GREEN	6	+12V
5.	+12V	BLUE	7	-12V
6.	-12V	ORANGE	5	GND
7.	GND	WH/BK	3	+15V
8.	+15V	RD/BK	4	-15V
9.	-15V	GN/BK		
10.	GND	BL/BK		
11.	+24V	OR/BK		
12.	FRGND	BK/WH		FR GND

CABLE APPLICATION:
 THIS CABLE IS USED TO POWER A STU
 OR ANY OTHER CARD FRAME NOT CONTAINING
 A BACKPLANE WITH THE TRIAD TC-051524
 POWER SUPPLY.

TRIAD PRODUCTIONS, INC.		
Title TC-051524 POWER SUPPLY TO STU CARD FRAME		
Size A	Document Number PWRSTU.OCD	REV A
Date:	May 15, 1995	Sheet 1 of 1