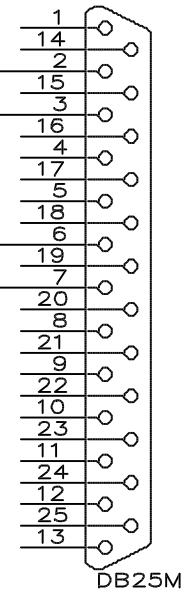
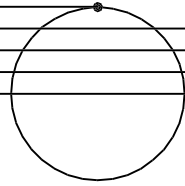
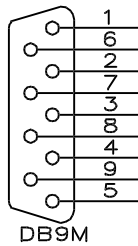
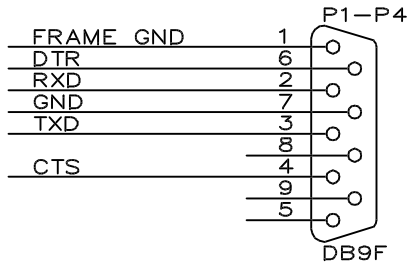


# TC-642 TO SONY LDPXXXX SERIES VIDEO DISC PLAYER

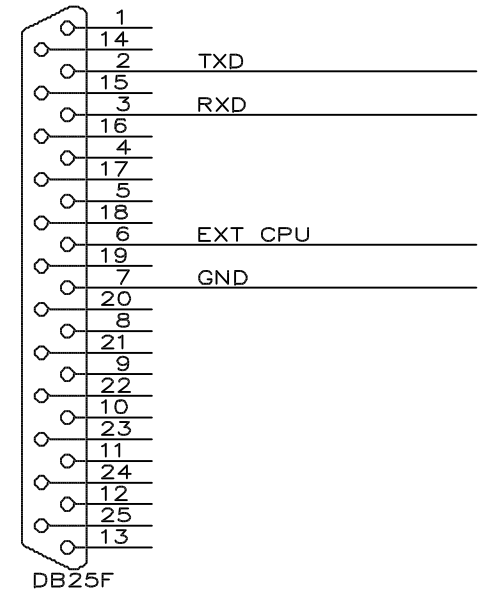
TC-642 RS-232 DB9F TO SONY LDP STANDARD LASER DISC PLAYER RS-232 DB25F

(REQUIRES A DB9M TO DB25M ON CABLE)

TC-642



SONY LDP



TC-642 DB9F	CABLE WIRE	SONY LDP DB15M
PIN	SIGNAL	PIN
1.	FRAME SHIELD	SHIELD
2.	RXD	RED
3.	TXD	GREEN
4.	CTS MON	
5.	NC	
6.	DTR OUT	WHITE
7.	GND	BLACK
8.	NC	
9.	NC	

(BELDEN COLOR CODES USING 8723)

CABLE APPLICATION:  
THIS CABLE IS USED TO INTERFACE BETWEEN  
A TC-642 "SERIAL" RS-232 CONNECTOR FROM A  
STANDARD TRIAD FRAME TO ANY SONY SERIES  
LASER DISC PLAYER.

THIS INCLUDES LDP1200, LDP1550, LDP2000.

TRIAD PRODUCTIONS, INC.		
Title TC-642 TO SONY SERIES VIDEO DISC PLAYER		
Size A	Document Number SCAB1200.OCD	REV A
Date:	May 15, 1995	Sheet 1 of 1