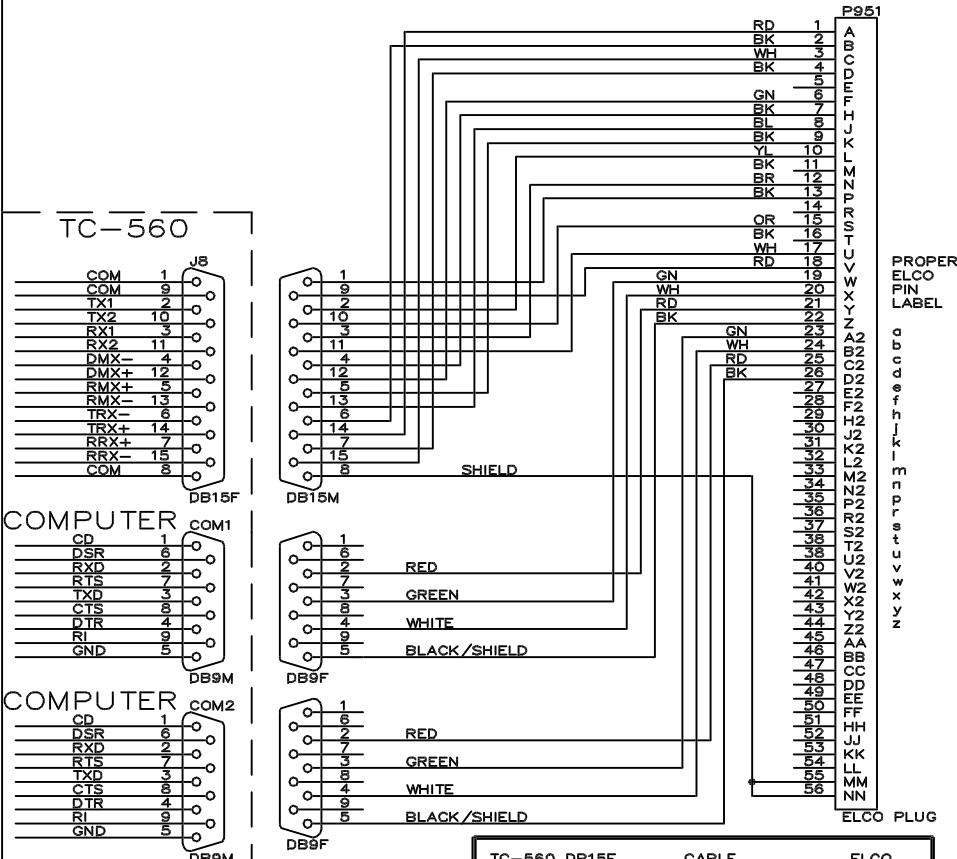


TC-560 AND COM PORTS TO P951

TC-560 DB15F AND COMPUTER COM PORTS DB9M TO ELCO PLUG

POSITIONS NOT USED: E,R, w,DD



COMPUTER COM PORT DB9M	CABLE WIRE	ELCO PLUG
1. TX1	RED	Y
2. TX2	GREEN	W
3. RX1	WHITE	X
4. RX2	BK/SH	Z
5. GND		

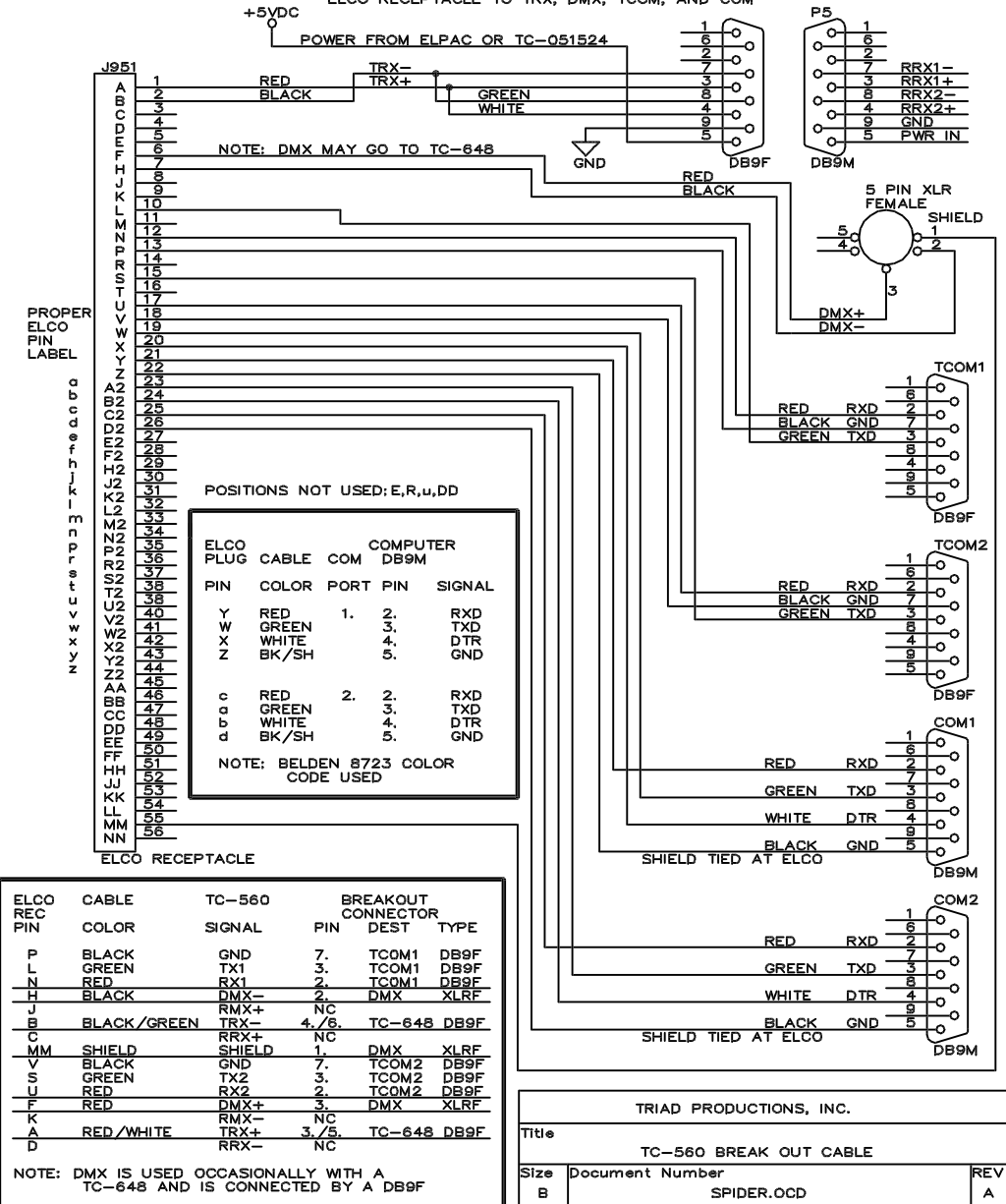
COMPUTER COM PORT DB9M	CABLE WIRE	ELCO PLUG
2. RXD	RED	c
3. TXD	GREEN	a
4. DTR	WHITE	b
5. GND	BK/SH	d

TC-560 DB15F	CABLE	ELCO PLUG
1. GND COM	6 BLACK	P
2. TX1	5 YELLOW	L
3. RX1	6 BROWN	N
4. DMX+	3 BLACK	H
5. TRX-	4 BLUE	J
6. TRX+	1 BLACK	B
7. RRX+	2 WHITE	C
8. GND COM	SHIELD	MM
9. GND COM	8 RED	V
10. TX2	7 ORANGE	S
11. RX2	8 WHITE	U
12. DMX+	3 GREEN	F
13. RMX-	4 BLACK	K
14. TRX+	1 RED	A
15. TRX-	2 BLACK	D

NOTE: BELDEN 2219 9 PAIR COLOR CODE USED AT ELCO PLUG

J951 BREAK OUT CABLE

ELCO RECEPTACLE TO TRX, DMX, TCOM, AND COM



ELCO REC PIN	CABLE COLOR	TC-560 SIGNAL	BREAKOUT CONNector	DEST	TYPE
P	BLACK	GND	7.	TCOM1	DB9F
L	GREEN	TX1	3.	TCOM1	DB9F
N	RED	RX1	2.	TCOM1	DB9F
H	BLACK	DMX-	NC	DMX	XLRF
J	BLACK/GREEN	TRX+	4./8.	TC-648	DB9F
C		RRX+	NC		
MM	SHIELD	SHIELD	1.	DMX	XLRF
V	BLACK	GND	7.	TCOM2	DB9F
S	GREEN	TX2	3.	TCOM2	DB9F
U	RED	RX2	2.	TCOM2	DB9F
F	RED	DMX+	3.	DMX	XLRF
K		RMX-	NC		
A	RED/WHITE	TRX+	3./5.	TC-648	DB9F
D		RRX-	NC		

NOTE: DMX IS USED OCCASIONALLY WITH A TC-648 AND IS CONNECTED BY A DB9F