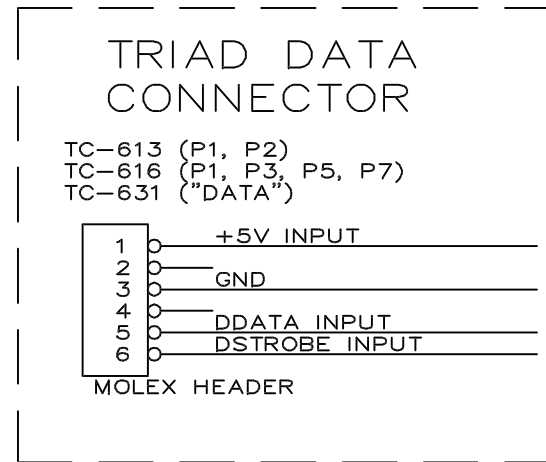
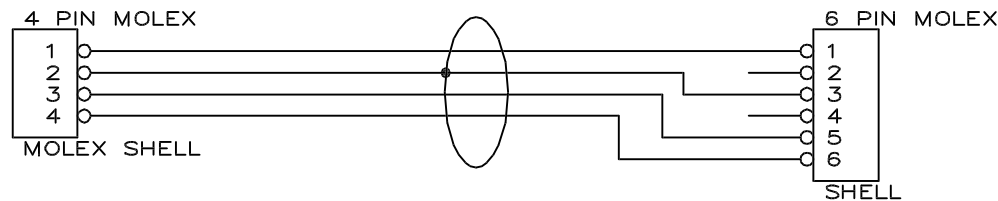
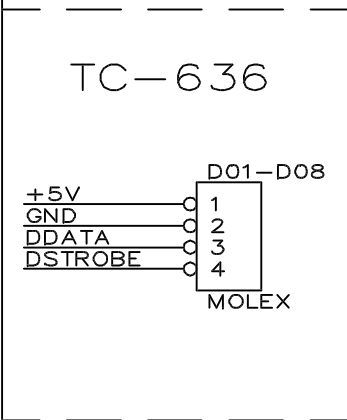


TC-636 STU TRIAD DATA TO REMOTE DIGITAL OUTPUT

TC-636 4 PIN MOLEX HEADER TO TC-613, TC-616, TC-631 6 PIN MOLEX HEADER

(REQUIRES A 4 PIN MOLEX SHELL TO 6 PIN MOLEX SHELL)



STU TC-636	CABLE WIRE		REMOTE
PIN	COLOR	SIGNAL	PIN
1.	WHITE	+5V	1.
2.	BLACK	GND/SHIELD	3.
3.	GREEN	DDATA	5.
4.	RED	DSTROBE	6.

(BELDEN COLOR CODE 8723 USED)

CABLE APPLICATION:
THIS CABLE IS USED TO SUPPLY TRIAD TX DATA
FROM A TC-636 TO A REMOTE OUTPUT CARD.

WITH THE EXCEPTION OF THE SHIELD, THIS IS ALSO
THE PINOUT WIRING FOR AN INTERNAL FRAME.

TRIAD PRODUCTIONS, INC.		
Title		
TC-636 DATA TO REMOTE CARDS		
Size	Document Number	REV
A	STUTO613.OCD	A
Date:	May 15, 1995	Sheet 1 of 1