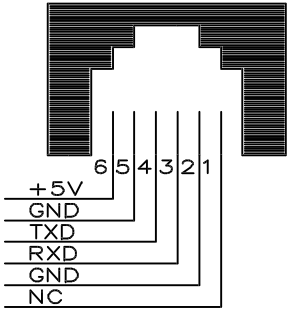


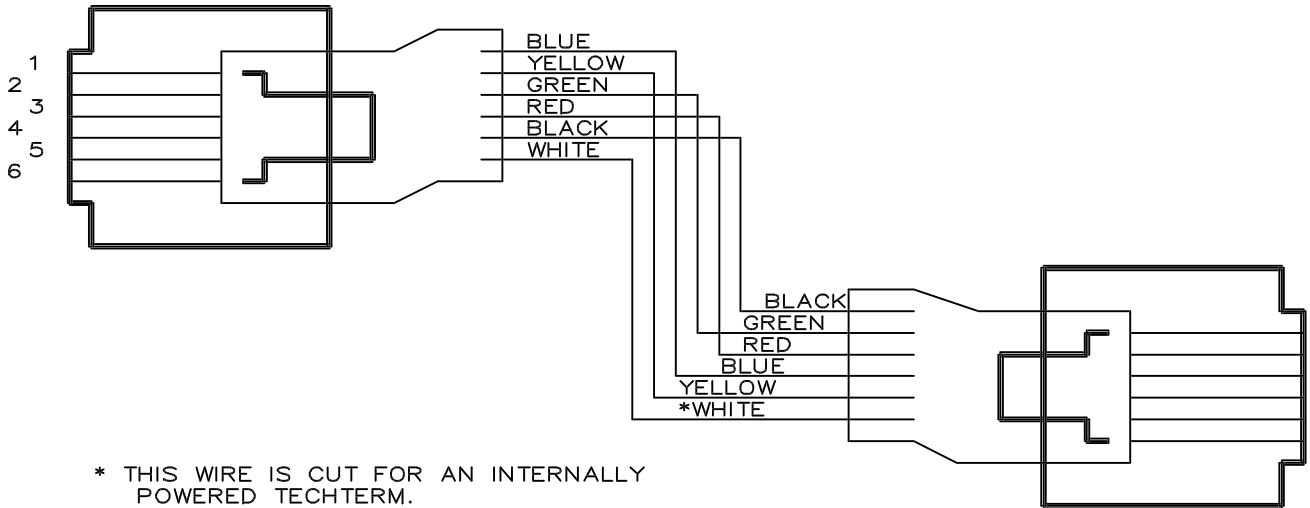
TRIAD STANDARD RS-232 TELCO CONNECTION TO TECHTERM

(REQUIRES A TELCO PLUG TO TELCO PLUG ON CABLE)

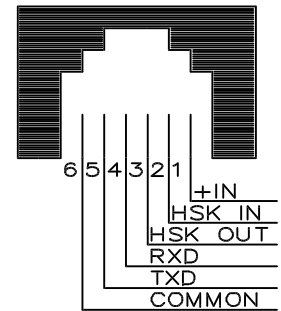
TC-3550
TC-560
BART TELCO
RECEPTACLE
VIEW: OUTSIDE BACK



TRIAD TELCO



TECHTERM TELCO
RECEPTACLE
VIEW: OUTSIDE END



* THIS WIRE IS CUT FOR AN INTERNALLY POWERED TECHTERM.

TRIAD STANDARD TELCO SERIAL REC			TECHTERM TELCO RECEPTACLE		
PIN	SIGNAL	COLOR	PIN	SIGNAL	COLOR
1.	NC	BLUE	3.	HSK OUT	BLUE
2.	GND	YELLOW	2.	HSK IN	YELLOW
3.	RXD	GREEN	5.	TXD	GREEN
4.	TXD	RED	4.	RXD	RED
5.	GND	BLACK	6.	COMMON	BLACK
6.	+5V	WHITE	1.	+VCC IN	WHITE

CABLE APPLICATION:

THIS CABLE IS USED TO CONNECT A TRIAD STANDARD RS-232 TELCO CONNECTOR TO A HAND HELD **TECHTERM.

(**TWO TECHNOLOGIES INC. TECHTERM)
MODELS: TT1NELR2-1 (EXTERNALLY POWERED VERSION)
TT1R2-3 (INTERNAL BATTERY SUPPLY)

TRIAD PRODUCTIONS INC.		
Title		
TRIAD STANDARD TELCO TO TECHTERM		
Size	Document Number	REV
A	TECHTEL.OCD	A
Date:	May 15, 1995	Sheet 1 of 1